

MAGNETIC CHARACTERISTICS ²

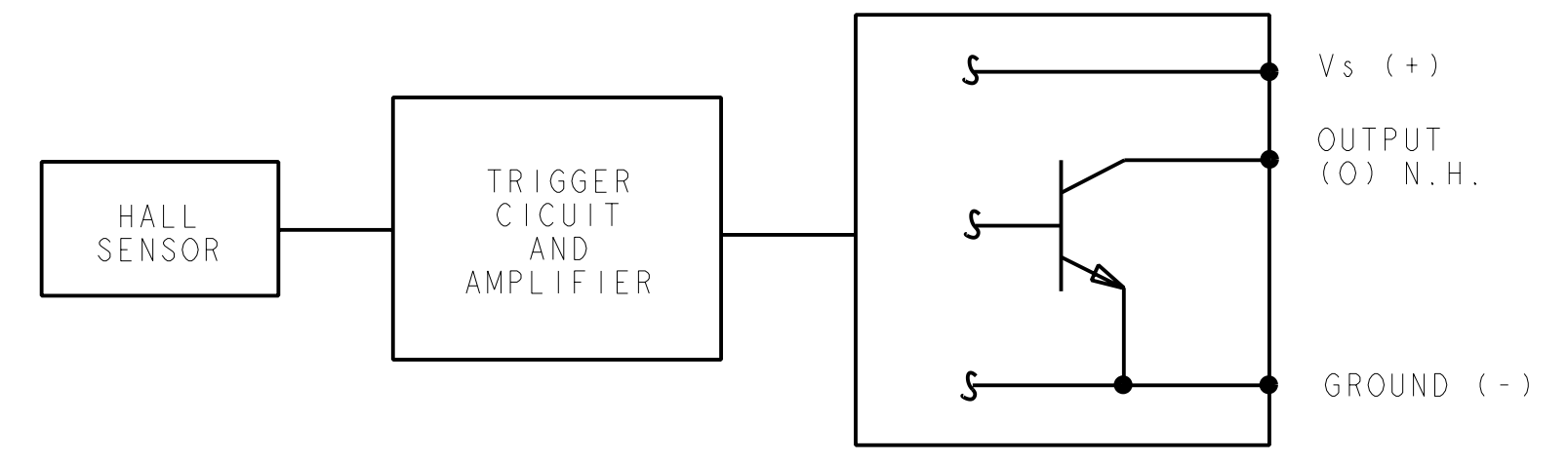
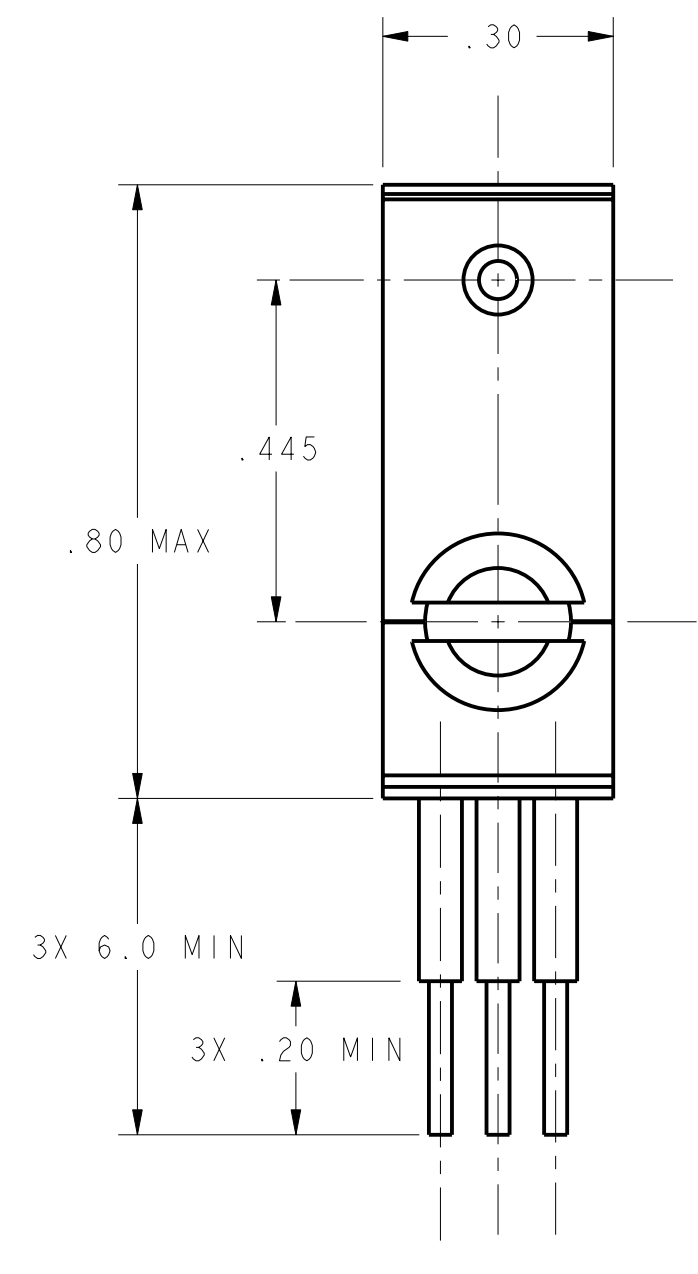
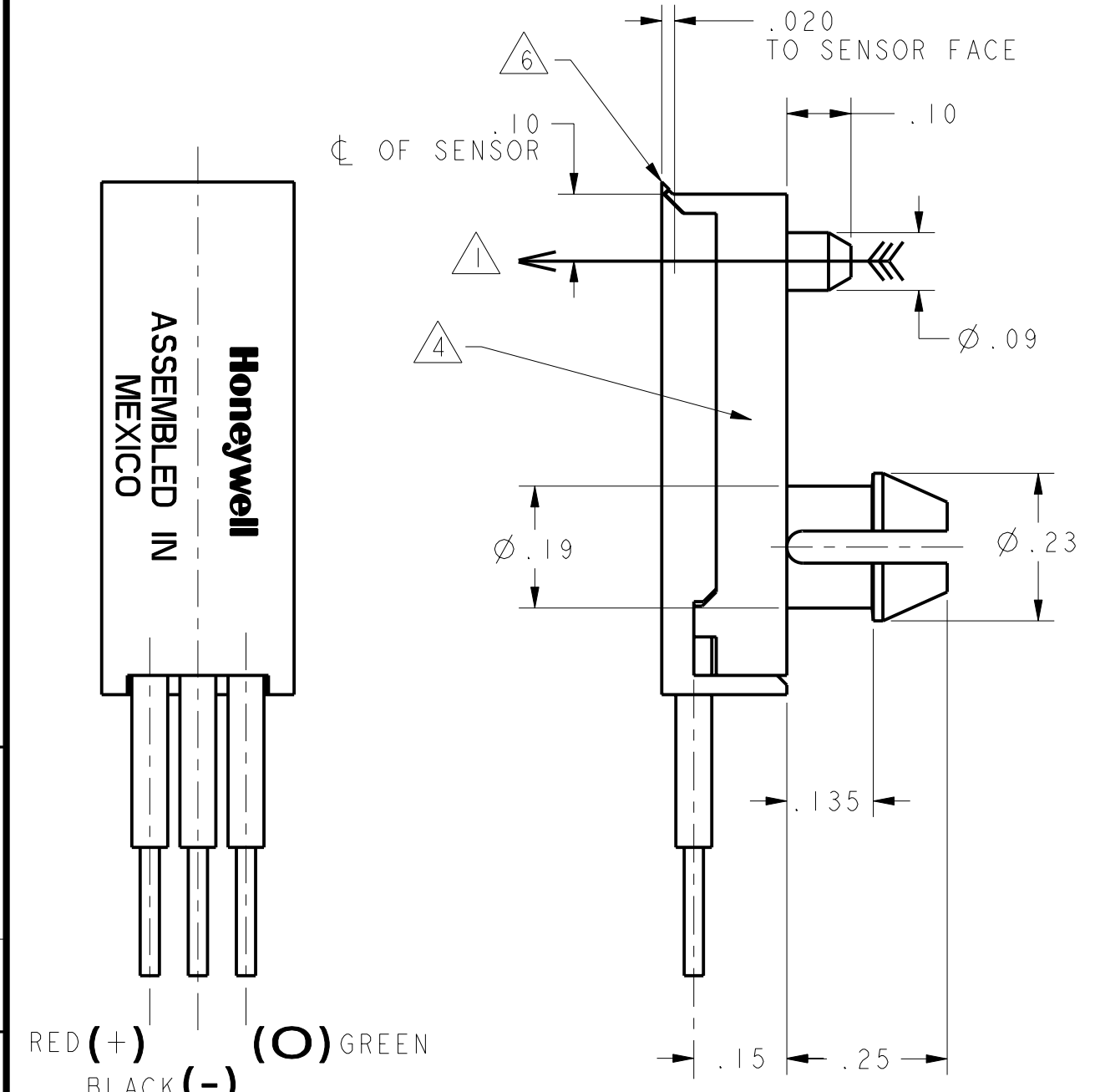
TEMPERATURE RANGE	25°C	-20°C TO 85°C
OPERATING GAUSS MAX	180	215
RELEASE GAUSS MIN	75	60
DIFFERENTIAL GAUSS MIN	25	10

ELECTRICAL CHARACTERISTICS -40 TO 125°C 4.5 TO 24 VDC

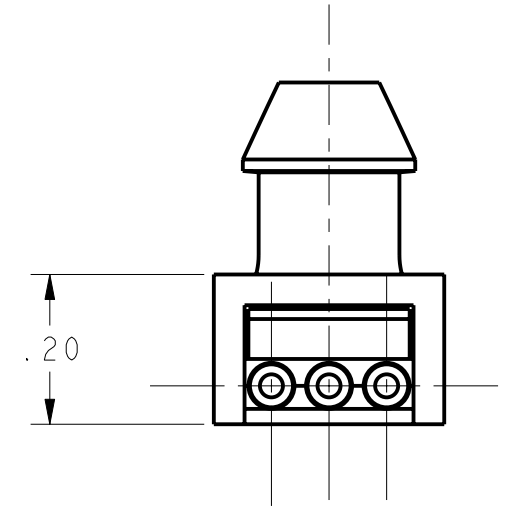
	MINIMUM	MAXIMUM
SUPPLY CURRENT		13 mA
OUTPUT VOLTAGE (ON) (SINKING 10 mA)		0.4 VOLTS
VOLTAGE APPLIED TO OUTPUT (OFF)		24 VOLTS
OUTPUT CURRENT MAX		20 mA
OUTPUT LEAKAGE CURRENT (OFF)		5 µA
OUTPUT SWITCHING TIME		
RISE TIME (10% TO 90%)		1.5 µS
FALL TIME (90% TO 10%)		1.5 µS

ABSOLUTE MAXIMUM RATINGS ³

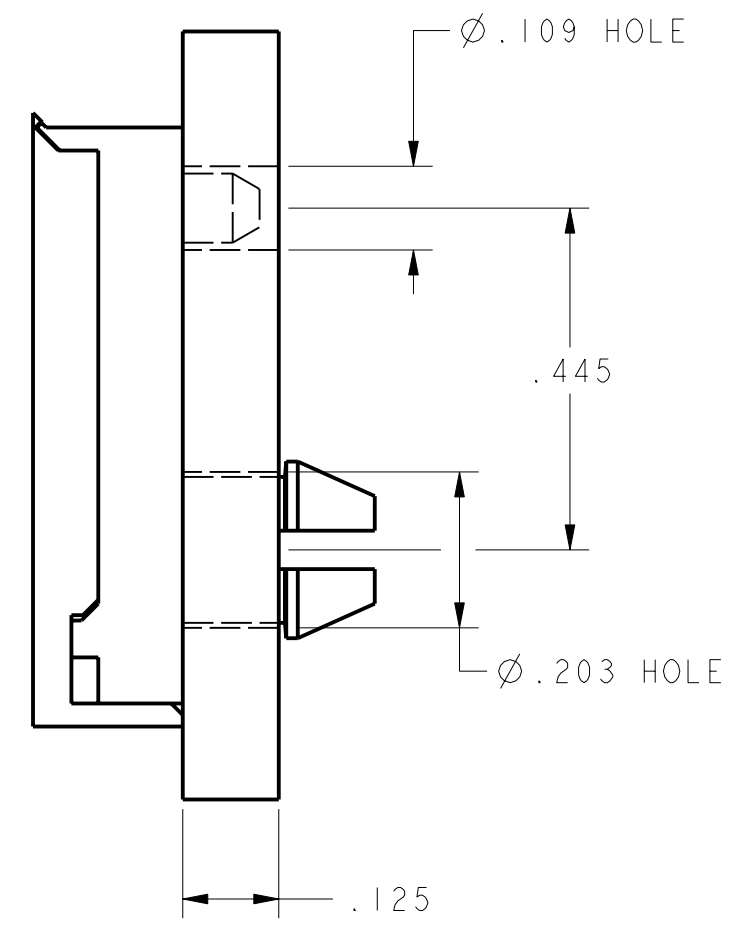
TEMPERATURE	-40°C TO +150°C
SUPPLY VOLTAGE	-1 VDC TO 25 VDC
VOLTAGE EXTERNALLY APPLIED TO OUTPUT	25 VDC WITH SWITCH IN OFF COND. ONLY -0.5 VDC WITH SWITCH IN ON OR OFF COND.
OUTPUT CURRENT	50 mA
MAGNETIC FLUX	NO LIMIT



BLOCK DIAGRAM CURRENT SINKING OUTPUT



SR13C-A1
PAGE 4 OF 4
RELEASE NO. DR-5244
REPLACES XII11671-SR
DRAWING NUMBER
ISSUE 4
REVISIONS
A PR-24132 JUN 30 99
B CO-95556 OCT 13 99
C 201747 NOV 27 00
DRAWN LJK
CHECKED JAF
DATE 2 MAY 99
DATE 2 MAY 99
DATE 30 JUN 99
DATE 13 OCT 99
DATE 27 NOV 00
P.T.C./CAD 30
LJK 2 MAY 99
JAF 2 MAY 99



SUGGESTED MOUNTING DETAIL

NOTES

- 1 THE MAGNETIC FLUX USED TO OPERATE THE SWITCH MUST BE IN THE DIRECTION AND LOCATION SHOWN (THIS ASSUMES THE CONVENTION THAT THE DIRECTION OF THE EXTERNAL FLUX OF A MAGNET IS FROM THE NORTH TO THE SOUTH POLE OF THE MAGNET)
- 2 THE MAGNETIC FIELD STRENGTH (GAUSS) REQUIRED TO CAUSE THE SWITCH TO CHANGE STATE (OPERATE AND RELEASE) WILL BE AS SPECIFIED IN THE MAGNETIC CHARACTERISTICS. TO TEST THE SWITCH AGAINST THE SPECIFIED MAGNETIC CHARACTERISTICS THE SWITCH MUST BE PLACED IN A UNIFORM MAGNETIC FIELD
- 3 ABSOLUTE MAXIMUM RATINGS ARE NOT GUARANTEED AS THE MAXIMUM LIMITS (ABOVE RECOMMENDED OPERATING CONDITIONS) ARE APPROACHED NOR WILL THE DEVICE NECESSARILY OPERATE AT MAXIMUM RATING
- 4 DATE CODE (YYWW) AND PART NUMBER LOCATED IN THIS AREA
- 5 LEADWIRES ARE 24 GAUGE STRANDED
- 6 AFTER CLOSURE, HINGE BULGING IS ACCEPTABLE, BUT ANY JAGGED TEARING CAUSING LARGE SEPARATIONS GREATER THAN .010 IS UNACCEPTABLE

CAUTION
ELECTROSTATIC SENSITIVE DEVICES
DO NOT OPEN OR HANDLE EXCEPT AT A STATIC FREE WORKSTATION
ESD SENSITIVITY: CLASS 3

MICRO SWITCH a Honeywell Division FED. MFG. CODE 91929	MAGNETICALLY OPERATED HALL SENSOR	CATALOG LISTING SR13C-A1
	THIS DRAWING COVERS A PROPRIETARY ITEM AND IS THE PROPERTY OF MICRO SWITCH, A DIVISION OF HONEYWELL. THIS DRAWING IS NOT TO BE COPIED OR USED WITHOUT THE APPROVAL OF MICRO SWITCH.	

ANSI Y14.5M-1982 APPLIES

THIRD ANGLE PROJECTION

SCALE 4 : 1

DO NOT SCALE PRINT

UNLESS OTHERWISE SPECIFIED TOLERANCES ARE

ONE PLACE	(.0)	± .030
TWO PLACES	(.00)	± .015
THREE PLACES	(.000)	± .005
ANGLES		±

WEIGHT